



The *Reliable One*®

## What Is A “Special Irrigation” Meter?

“**SPECIAL IRRIGATION**” meters are installed to account separately for the water used for irrigation. The benefit to you is that water registered on this meter is not assessed a sewer charge.

This “**SPECIAL IRRIGATION**” meter installation does not provide an additional tap to the water main. There is no flow increase, since the existing service is split for installation of the new meter. There is a single cutoff valve. Therefore, meters cannot be turned off independently of each other. The flow capacity for a 5/8” meter is 10 gallons per minute.

The “**SPECIAL IRRIGATION**” meter installation charge is:

**5/8” meter — \$515**

This charge does not include additional piping, asphalt or concrete break up or replacement involved in the installation, or any possible County permit fee\* that may be required.

This charge also does not include the installation of an approved backflow preventer to protect against contamination of the potable water system, and the connection to the meter. The Standard Plumbing Code requires that all outside threaded spigots have an ASSE approved hosebibb vacuum breaker in place. If you have questions about backflow prevention, please call the OUC Water Department at **407.434.2535**.

Customers currently served by a 1” domestic meter may elect to have a 1” special irrigation meter installed for \$565. The flow capacity for a 1” meter is 25 gallons per minute.

**Meter installation charges are non-refundable.**

\* If existing meter is located in the sidewalk

**October 1, 2015**

ORLANDO UTILITIES COMMISSION

# May We Answer Some of Your Questions?

## Q. Will I save money on the sewer charge by installing a “SPECIAL IRRIGATION” meter?

- A. ONLY if you reduce your domestic consumption to less than the monthly maximum usage established by the City of Orlando or Orange County. If the domestic consumption is not reduced, the second meter may increase your cost per month.

## Q. How much is the sewer charge and what is the maximum?

- A. **CITY OF ORLANDO SEWER:**  
 Inside City Limits — minimum \$18.73 plus \$4.52 per 1,000 gallons of water to 14,000 gallons for a maximum monthly payment of \$82.01.

**ORANGE COUNTY SEWER:**  
 Minimum 5/8” meter— \$15.71.  
 Minimum 1” meter— \$34.96. Add \$3.57 per 1,000 gallons of water to 14,000 for a maximum monthly payment of \$65.69 for a 5/8” meter and \$84.94 for a 1” meter.

## Q. What is the monthly charge on a second meter?

- A. There is a reduced customer charge for the second meter.

Meter Size	INSIDE CITY		OUTSIDE CITY	
	Domestic	Irrigation	Domestic	Irrigation
5/8”	\$7.50	\$5.50	\$8.63	\$6.33
1”	\$10.50	\$8.50	\$12.08	\$9.78

VOLUME CHARGE FOR IRRIGATION WATER		
GALLONS CONSUMED	INSIDE CITY	OUTSIDE CITY
First 19,000 gallons consumed	\$1.589	\$1.827
Next 11,000 gallons consumed	\$2.832	\$3.257
All consumption over 30,000 gallons	\$5.300	\$6.095

## Q. Will the \$515 for a 5/8” meter or \$565 for a 1” meter be the total cost to me, the customer?

- A. No. This covers only the cost of OUC setting the meter.  
 The connection and installation of an approved backflow preventer is the responsibility of the customer.

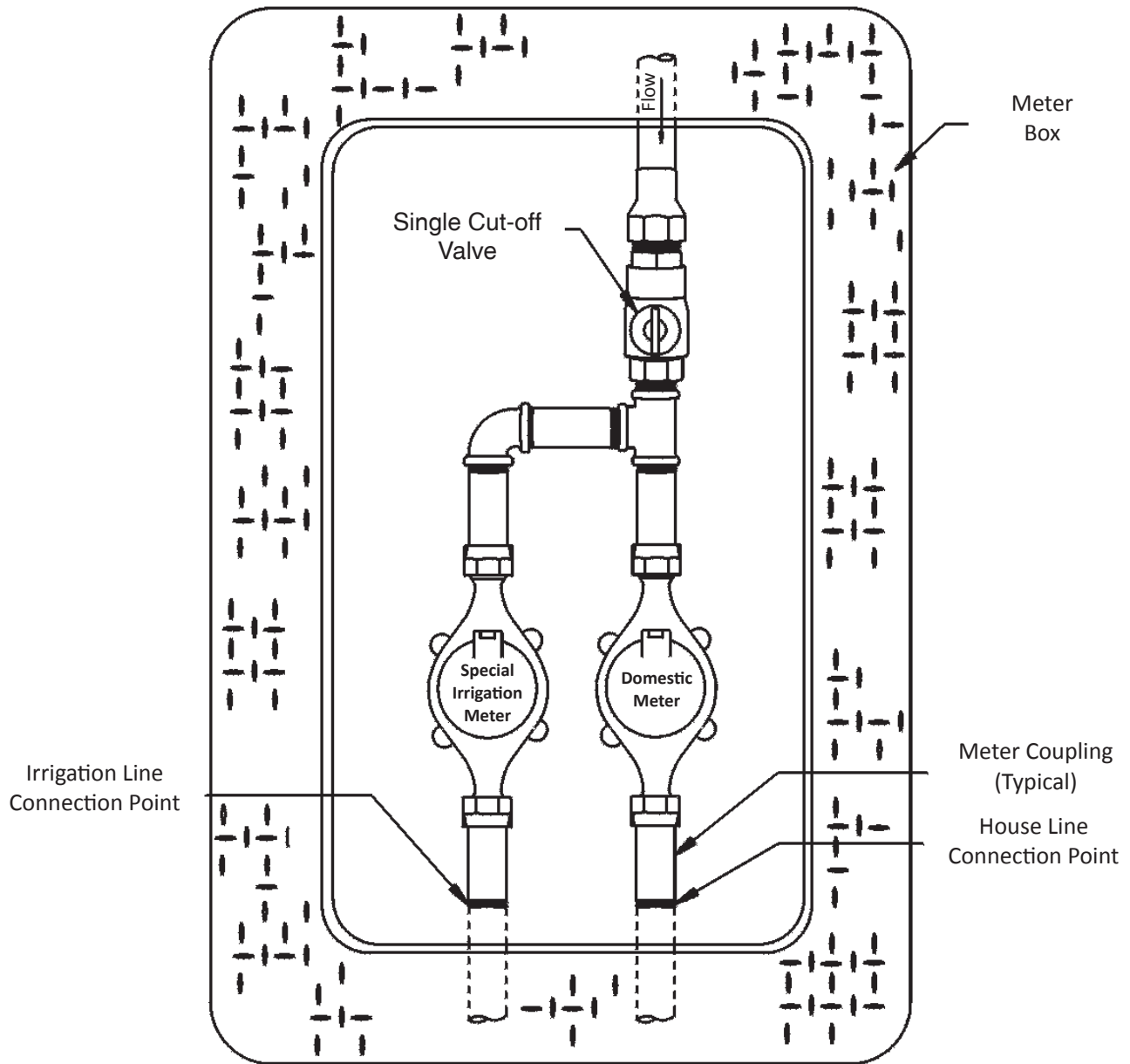
## Q. If I choose to install this meter, what is the procedure?

- A. Payment may be mailed to:  
 ORLANDO UTILITIES COMMISSION  
 Customer Service  
 Post Office Box 3193  
 Orlando, Florida 32802  
 Upon receipt of payment, installation will be arranged according to our construction schedule.

## Q. If I have further questions, what number may I call?

- A. Please call a Customer Service Representative at **407.423.9018**.

## Special Split Irrigation Meter Detail



**NOTE:**

1. Customer/contractor responsible for tie-in at connection point
2. Approved backflow preventer required on new irrigation systems (by customer)

# Approved Backflow Preventers for Irrigation Systems

Lawn sprinkler systems and irrigation piping systems must be equipped with an approved backflow preventer to protect against contamination of the potable water system. Backflow preventers for residential irrigation systems must comply with the “State Standard Plumbing Code”. The following devices are approved for irrigation systems:

AVB — Atmospheric Vacuum Breaker – \*ASSE 101 (One downstream of each control valve:  
6 zones require 6 AVBs)

PVB — Pressure Vacuum Breaker – ASSE 1020

DCVA — Double Check Valve Assembly – ASSE 1015

RP — Reduced Pressure Backflow Preventer – ASSE 1013

\*American Society of Sanitary Engineering

Devices must be installed in an accessible location to allow for inspection and maintenance and to isolate the sprinkler system from all other piping in the system.

If you require additional information in obtaining an approved backflow preventer, please contact the OUC Water Quality Department at **407.434.2535**.